

NEW
2024

PODIUM

THE DISPLAY POSSIBILITIES ARE ENDLESS



McLaughlin

WELCOME

BUFFET PRESENTATION

Created in collaboration with experts, PODIUM is a modular display solution that provides more flexibility than ever when it comes to creating beautiful displays. PODIUM is a range of high quality products manufactured in the UK from Sustainable FSC Certified European Prime Oak.

Within a demanding hospitality and catering environment, creating eye catching buffet displays can be especially daunting. PODIUM being a modular display solution comprising; Trolleys, Trays, Box Risers, Bread Bins, Tea Chests and Buffet Trolleys makes it an easy process to build your buffet display. The system of modular interchangeable stackable components offers

PODIUM

great versatility in tailoring your displays making it easy to switch from a breakfast presentation with breads and pastries, to a hot display of main courses for a lunch service.

These intelligently designed PODIUM products enable operators in the catering and hospitality industry to optimise food and beverage presentations; by providing easy display solutions allowing for multiple configuration options. PODIUM is a perfectly tailored solution; from tea-coffee stations or pop-up island bars to room service. Whether used in board rooms, conference facilities, hotels, restaurants or even spas, our new PODIUM range offers great flexibility to present food and drink displays, elevating your buffet presentation.

THE DISPLAY POSSIBILITIES ARE ENDLESS WITH PODIUM.



CONTENTS



Trolleys | 2-3

Boxes | 4-6

Box Inserts | 7

Butler Trays | 8

Bread Bins & Tea Chests | 9

Buffet Trolley | 10

Sizing Guide | 11

TROLLEYS

Podium trolleys offer multiple configuration options. The presentation surfaces can be extended to tailor your F & B presentation needs. You can maximise the surface utility with additional accessories, including inserts, boxes, tea chests and trays. With shelves and a folding surface design, each trolley offers an adaptable display solution for both single - and double-sided service. The trolleys come in four beautiful colours: Black, Grey, Dark Brown and Natural.



Standard & Long Trolleys

Please note that the Podium Boxes, Inserts and Trays are designed in a way to slot in perfectly to these trolleys. The size guide will help you in making decisions: See Page 13

Natural	Grey	Brown	Black	Dimensions
DN408NA	DN408GY	DN408BR	DN408BK	Standard - 798 x 558 x 855mm
DN409NA	DN409GY	DN409BR	DN409BK	Long - 1017/1672 x 558 x 855mm



Standard & Long Drop Leaf Trolleys

Please note that the Podium Boxes, Inserts and Trays are designed in a way to slot in perfectly to these trolleys. The size guide will help you in making decisions: See Page 13

Natural	Grey	Brown	Black	Dimensions
DN410NA	DN410GY	DN410BR	DN410BK	Standard - 805/1460 x 558 x 855mm
DN411NA	DN411GY	DN411BR	DN411BK	Long - 1017/1672 x 558 x 855mm

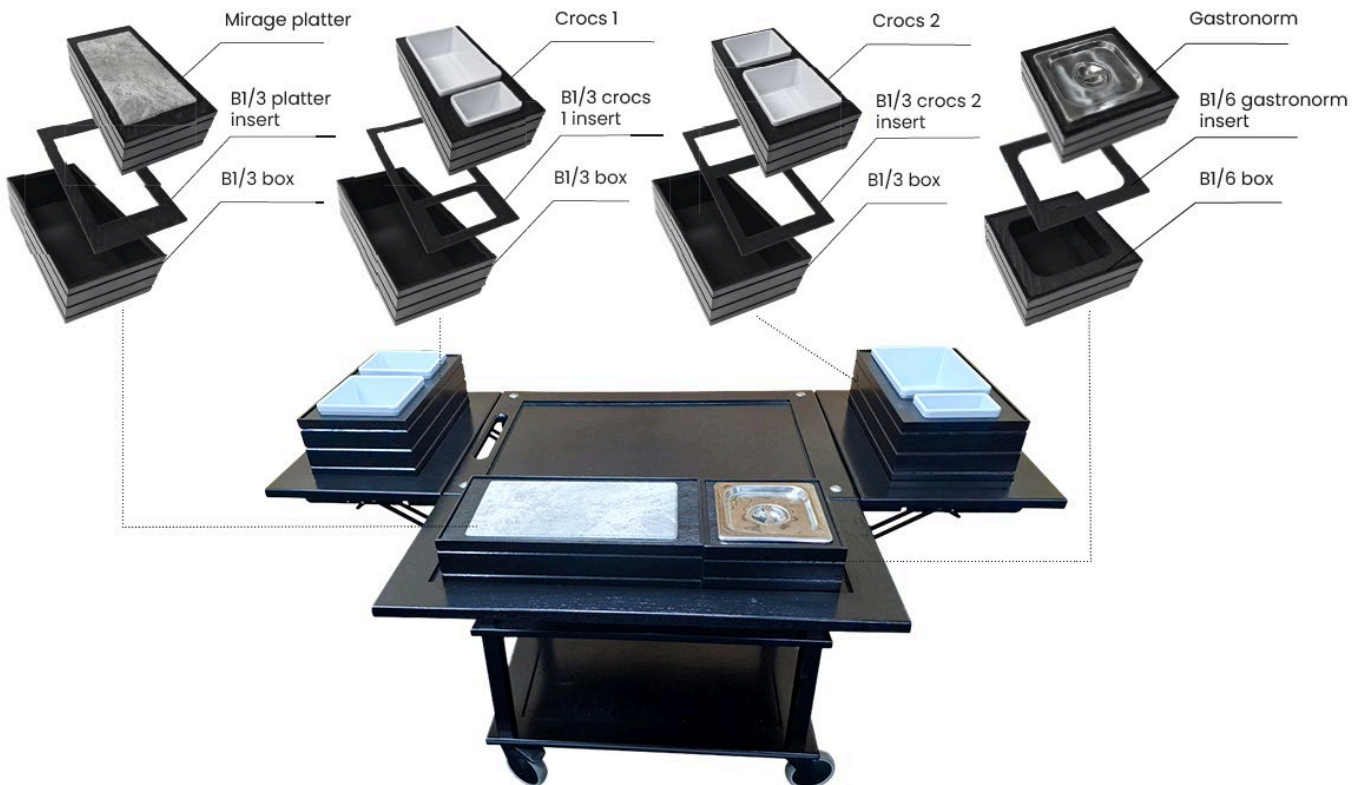


Standard & Long Island Trolleys

Please note that the Podium Boxes, Inserts and Trays are designed in a way to slot in perfectly to these trolleys. The size guide will help you in making decisions: See Page 13

Natural	Grey	Brown	Black	Dimensions
DN412NA	DN412GY	DN412BR	DN412BK	Standard - 830/1465 x 595/1225 x 855mm
DN413NA	DN413GY	DN413BR	DN413BK	Long - 1044/1678 x 595/1225 x 855mm

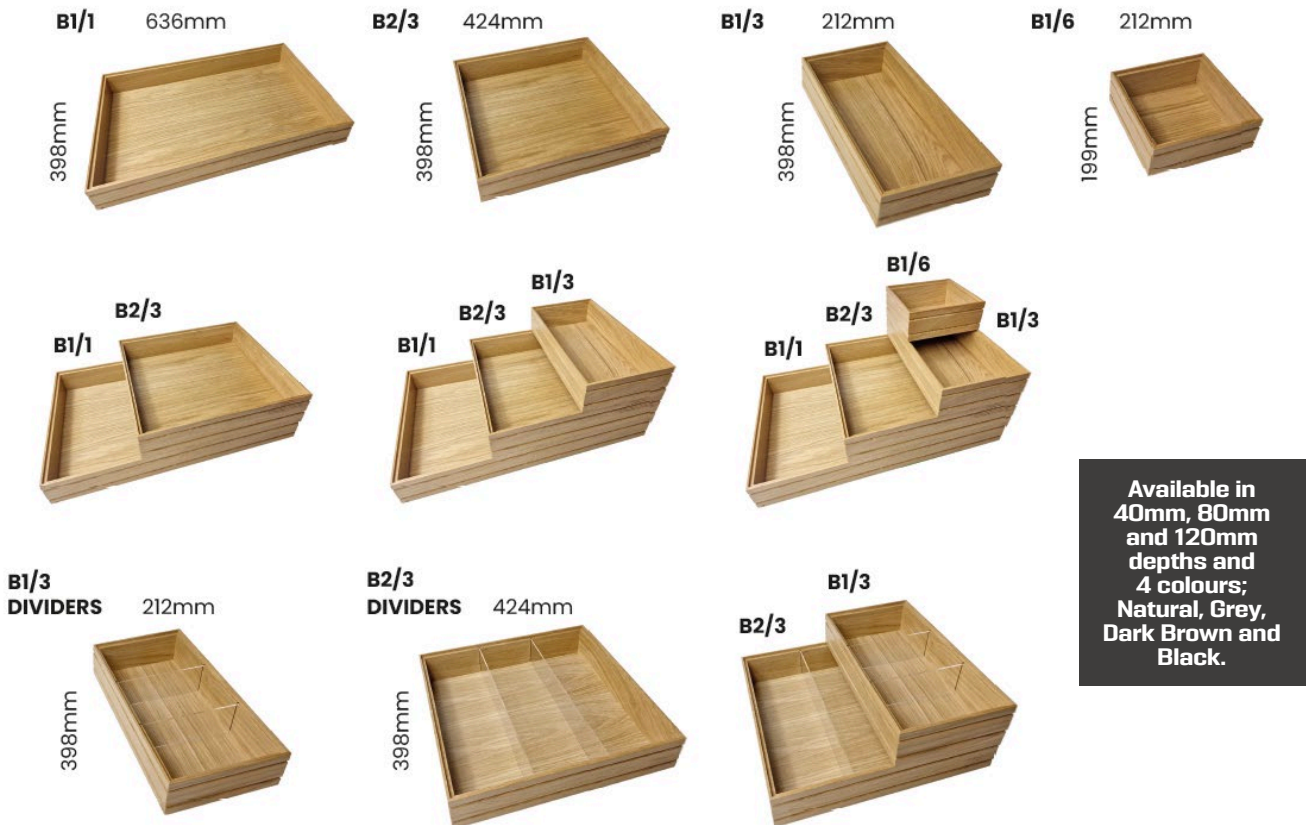
Island Trolleys Concepts



CONCEPTS



Podium Boxes Concepts



The Podium boxes are designed to offer you greater flexibility with your display options and work seamlessly with the trolleys. They can be used as cutlery boxes or to display other essential items. The boxes also come in Black, Grey, Dark Brown and Natural to coordinate to with the trolley colour of your choice.

Please note that the Podium Boxes, Inserts and Trays are designed in a way to slot in perfectly to these trolleys. The size guide will help you in making decisions. See Page 13



Rib Box B1/1

- 636 x 398mm

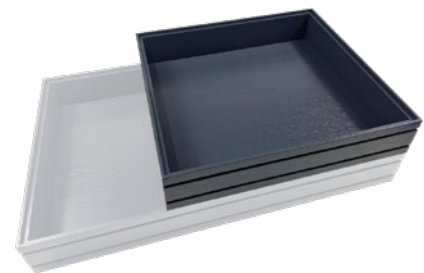
Natural	Grey	Brown	Black	Depth
DN415NA	DN415GY	DN415BR	DN415BK	120mm
DN416NA	DN416GY	DN416BR	DN416BK	80mm
DN417NA	DN417GY	DN417BR	DN417BK	40mm



Rib Box B2/3

- 424 x 398mm

Natural	Grey	Brown	Black	Depth
DN418NA	DN418GY	DN418BR	DN418BK	120mm
DN419NA	DN419GY	DN419BR	DN419BK	80mm
DN421NA	DN421GY	DN421BR	DN421BK	40mm



Rib Box B2/3 With 2 Dividers

- 424 x 398mm

Natural	Grey	Brown	Black	Depth
DN420NA	DN420GY	DN420BR	DN420BK	80mm



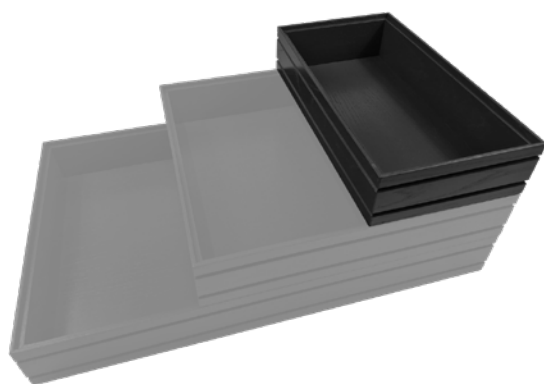
Divided boxes are perfect for separating foods such as the display of pastries for breakfast service.

BOXES



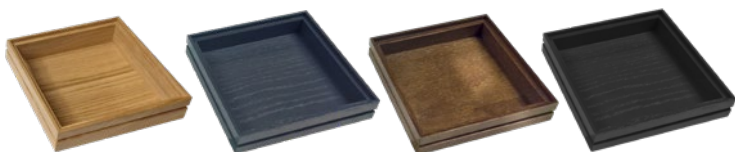
Rib Box B1/3 - 398 x 312mm

Natural	Grey	Brown	Black	Depth
DN422NA	DN422GY	DN422BR	DN422BK	120mm
DN423NA	DN423GY	DN423BR	DN423BK	80mm
DN425NA	DN425GY	DN425BR	DN425BK	40mm



Rib Box B1/3 With 2 Dividers - 398 x 312mm

Natural	Grey	Brown	Black	Depth
DN424NA	DN424GY	DN424BR	DN424BK	80mm
DN426NA	DN426GY	DN426BR	DN426BK	40mm



Rib Box B1/6 - 312 x 199mm

Natural	Grey	Brown	Black	Depth
DN427NA	DN427GY	DN427BR	DN427BK	120mm
DN428NA	DN428GY	DN428BR	DN428BK	80mm
DN429NA	DN429GY	DN429BR	DN429BK	40mm



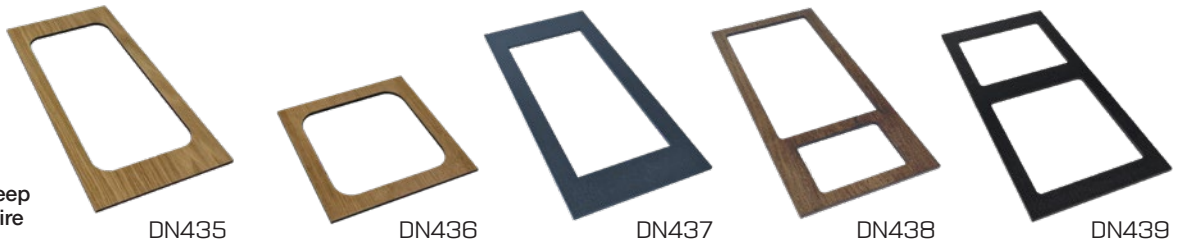
BOX INSERTS

The Podium box inserts are intelligently designed to allow a myriad of variations and combinations to your unique display needs. Inserts can be added or removed based on how you wish to tailor your display and can also be used for single serves.



Inserts

Please note: Select the appropriate depth box; Crocs require 120mm deep boxes, 65mm GN's require 80mm boxes.



Natural	Grey	Brown	Black	Compatibility
DN435NA	DN435GY	DN435BR	DN435BK	Insert B1/3 to GN1/3
DN436NA	DN436GY	DN436BR	DN436BK	B1/6 to GN1/6
DN437NA	DN437GY	DN437BR	DN437BK	B1/3 to GN1/3 Platter
DN438NA	DN438GY	DN438BR	DN438BK	B1/3 to fit DF806 + DF809
DN439NA	DN439GY	DN439BR	DN439BK	B1/3 to fit DF807 + DF808

Our Mirage Crocs will fit in beautifully with the Podium inserts. (Available in various colours; White, Black, Grey Speckle)



BUTLER TRAYS

Podium Butler Trays are perfect for room service. Integrating with the Podium range of trolleys they nest neatly into the trolley shelves for secure transport. Podium Butler trays are also stackable enabling multi service when stacking 80mm deep trays.



Rib handle Tray 2/3 - 424 x 398mm

Natural	Grey	Brown	Black	Depth
DN433NA	DN433GY	DN433BR	DN433BK	40mm
DN432NA	DN432GY	DN432BR	DN432BK	80mm



Rib handle Tray 1/1 - 636 x 398mm

Natural	Grey	Brown	Black	Depth
DN431NA	DN431GY	DN431BR	DN431BK	40mm
DN430NA	DN430GY	DN430BR	DN430BK	80mm



Rib Handle Usher Tray 1/1 - 636 x 398mm

Natural	Grey	Brown	Black	Depth
DN434NA	DN434GY	DN434BR	DN434BK	80mm

BREAD BIN & TEA CHEST



Bread Bins 1/3

The Podium bread boxes are designed for the covered presentation of bread and other bakery items, to keep them hygienic and fresh, and can be slotted onto the top of the trolley.



Natural	Grey	Brown	Black	Dimensions
DN440NA	DN440GY	DN440BR	DN440BK	398 x 312 x 312mm



Tea Chest - 2 Drawers

Designed to offer greater storage capacity and easy to replenish, the Podium tea chests are ideal for organising different flavoured tea bags. The tea chests are available in four colours to match the trolley colour of your choice.



Natural	Grey	Brown	Black	Dimensions
DN442NA	DN442GY	DN442BR	DN442BK	B1/3 - 398 x 212 x 244mm
DN441NA	DN441GY	DN441BR	DN441BK	B2/3 - 424 x 398 x 244mm

BUFFET TROLLEY

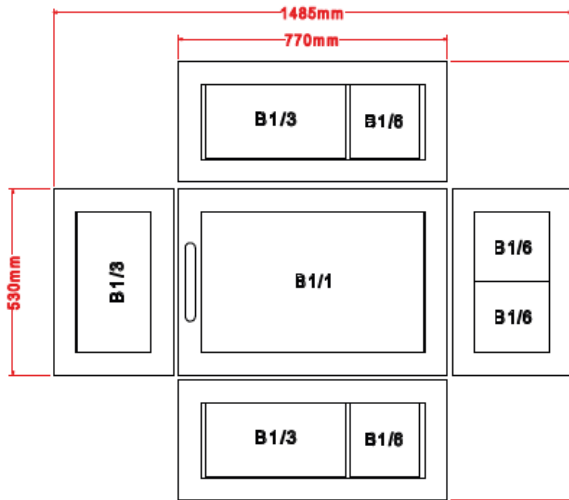
Podium buffet trolleys are ideal for front-of-house applications. Designed so that components, such as gastronorm pans, crocs and bowls, sit securely in the trolley, they are truly customisable to your needs. The trolley sits on four sturdy swivel castors, offering smooth manoeuvring.

Natural	Grey	Brown	Black	Dimensions
DN414NA	DN414GY	DN414BR	DN414BK	1136 x 440 x 810mm

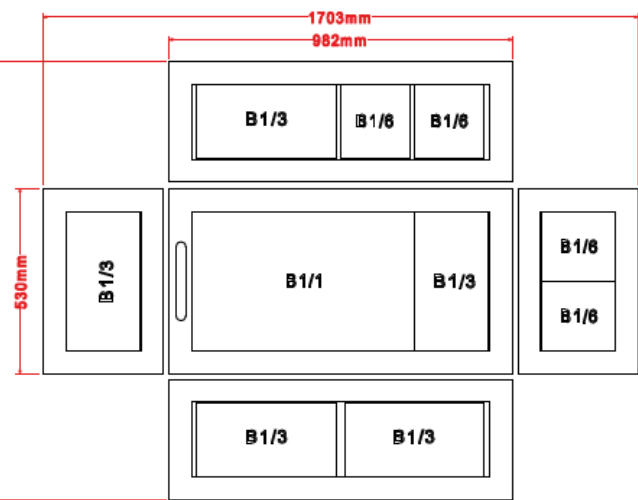


SIZING GUIDES FOR PODIUM

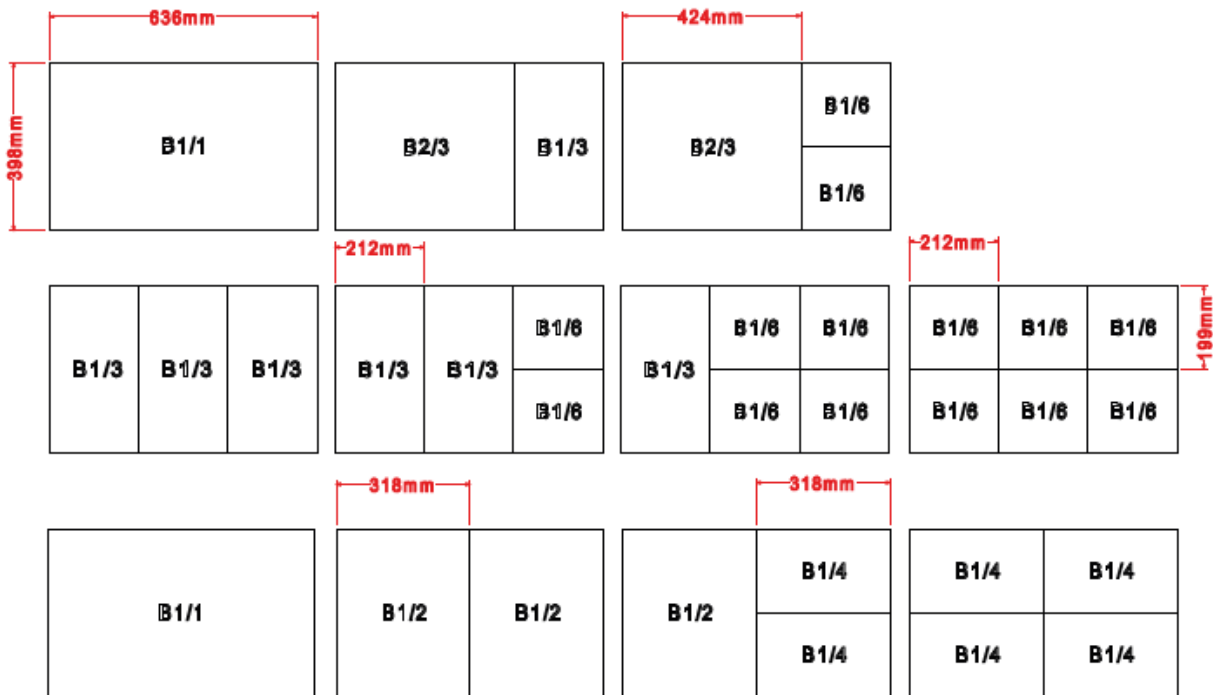
Podium



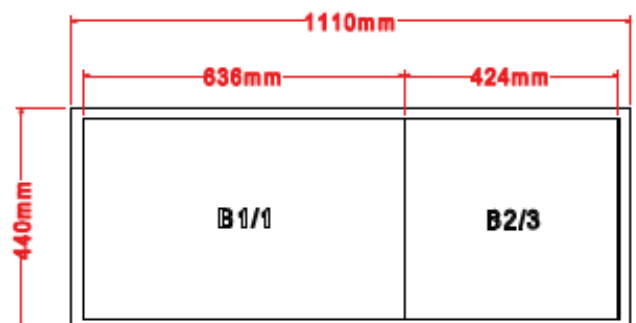
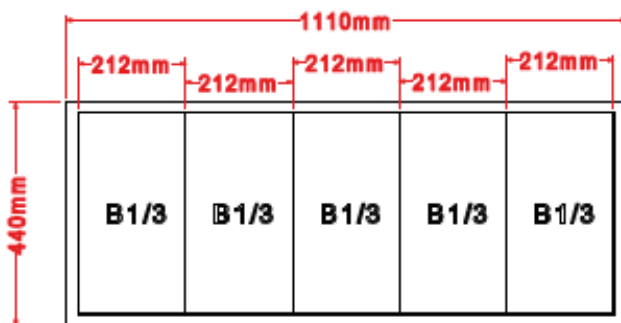
Podium Long



Podium Trolley Boxes



Podium Buffet Trolley



Notes

A series of horizontal dotted lines for writing notes.

Dotted lines for writing.



McLaughlin



Drumsill Distribution Centre
35 Moy Road, Armagh,
Northern Ireland, BT61 8DL

Contact us on:
(NI) 028 3751 1999 / (ROI) 015 337 300
Or email: bmlroisales@bunzl.ie

Shop online at: www.bunzlmclaughlin.com



THE DISPLAY POSSIBILITIES ARE ENDLESS